

# PARKER

AC YOKE INSPECTION AT REMOTE WORKSITES WITH NO OUTSIDE POWER SOURCE, NO GENERATOR...WITH THE NEW PARKER BAC310 PORTABLE, BATTERY OPERATED AC POWER SUPPLY...



- STAND ALONE BATTERY POWERED AC POWER SUPPLY – FOR PARKER AC YOKES
- ON THE SPOT AC POWER – INDEPENDENT OF ANY OUTSIDE POWER SOURCE
- TOTALLY PORTABLE FOR SHOP OR FIELD APPLICATIONS
- PROVIDES FOR COMPLIANCE WITH APPLICABLE SPECIFICATIONS



Distributed by:

**NDT** INTERNATIONAL, INC.  
711 CREEK ROAD  
WEST CHESTER, PA 19382

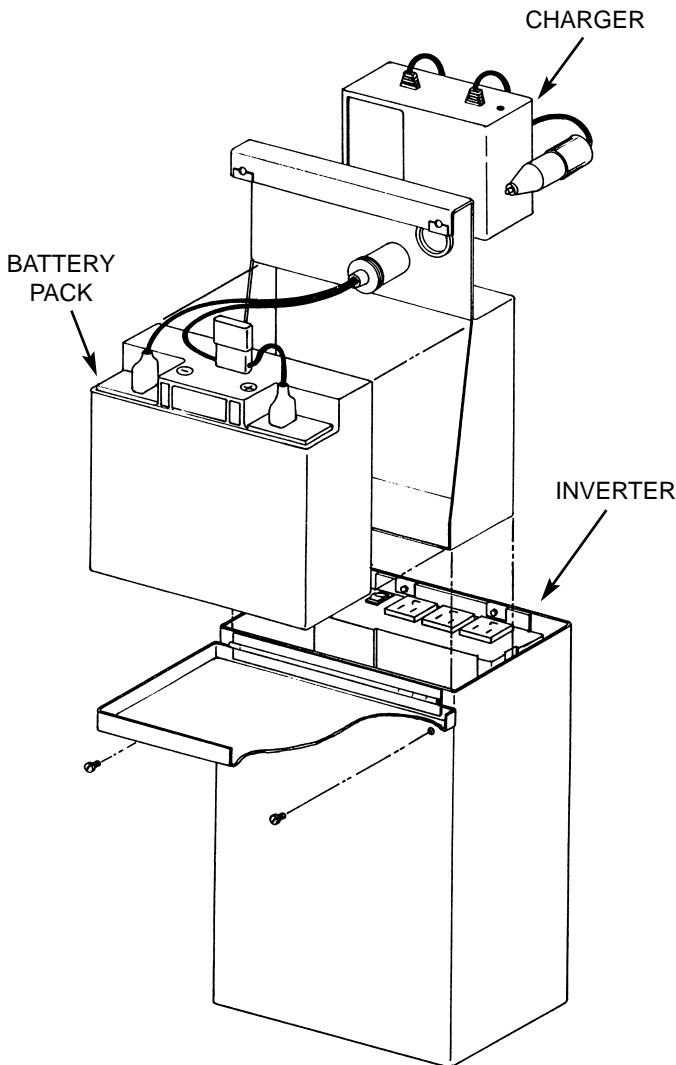
info@ndtint.com  
www.ndtint.com

Tel: 610-793-1700  
Fax: 610-793-1702

**INSTRUMENT DESCRIPTION:** The BAC310 battery operated Power Supply is a totally portable, stand alone 110VAC power source for operating Parker 300 series Contour Probes (Yokes) models B300 and B310. In addition, the Parker model B310BDC (12VDC) Contour Probe may also be operated from the BAC310 by direct connection to the female battery plug.

The BAC310 operates independently from any outside power source. Power is derived from the internal 12VDC battery, which is inverted to 110VAC output through the inverter circuitry. A separate battery charger is provided for overnight charging of the battery. The entire unit is contained within a heavy duty steel case 11-1/2"H x 7-1/2"W x 5-1/2"D and weighs only 28 pounds. The unit may be used in any shop or field application and is ideal in areas where normal AC line power is not available or where outside power sources may present a safety concern.

Plug the Parker B310 or B300 Contour Probes (Yokes) in to the standard BAC310 outlet. There is nothing else to do. The Contour Probes will function as they would normally from any other AC power source. Follow operating instructions for the individual Probe for correct and normal AC Yoke inspection techniques and requirements. The B310 and B300 Contour Probes will exceed applicable Magnetic Particle specification requirements.

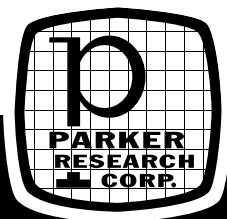


BAC310 AC POWER SUPPLY ASSEMBLY	
DEDICATED USE.....	B300/B310 AC PROBES
CURRENT DRAW.....	7.5A (B310)
APPROXIMATE RUNNING TIME .....	2 HOURS
TOTAL WEIGHT .....	28 LBS (12.7 KG)

BAC310-600 INVERTER	
MAXIMUM CONTINUOUS POWER.....	600 WATTS
SURGE CAPACITY (PEAK POWER).....	1200 WATTS
MAXIMUM EFFICIENCY .....	APPROX. 90%
NO LOAD CURRENT DRAW .....	0.8A
LOW VOLTAGE SHUTDOWN ACTIVATION	10.0 VOLTS
LOW VOLTAGE ALARM ACTIVATION .....	10.6VOLTS
WAVE FORM.....	MODIFIED SINE WAVE
FUSE .....	THREE 25 AMP (SPADE TYPE)
WEIGHT .....	4.25 LBS (1.9 KG)

BP20 BATTERY PACK	
TYPE .....	RECHARGEABLE SEALED LEAD ACID
RATING .....	12V. 20Ah/20 HR
FUSE .....	20A INLINE SPADE TYPE
WEIGHT .....	14.3 LBS (6.5 KG)

BC310 CHARGER	
TYPE .....	FULLY AUTOMATIC
INPUT .....	115VAC
OUTPUT .....	12VDC, 1.5A
WEIGHT .....	1.9 LBS (.87KG)



**PARKER RESEARCH CORP.**

P.O. BOX 1406, DUNEDIN, FLORIDA 34697 USA

Phone: (727) 796-4066, Fax: (727) 797-3941, E-MAIL: sales@parkreshcorp.com